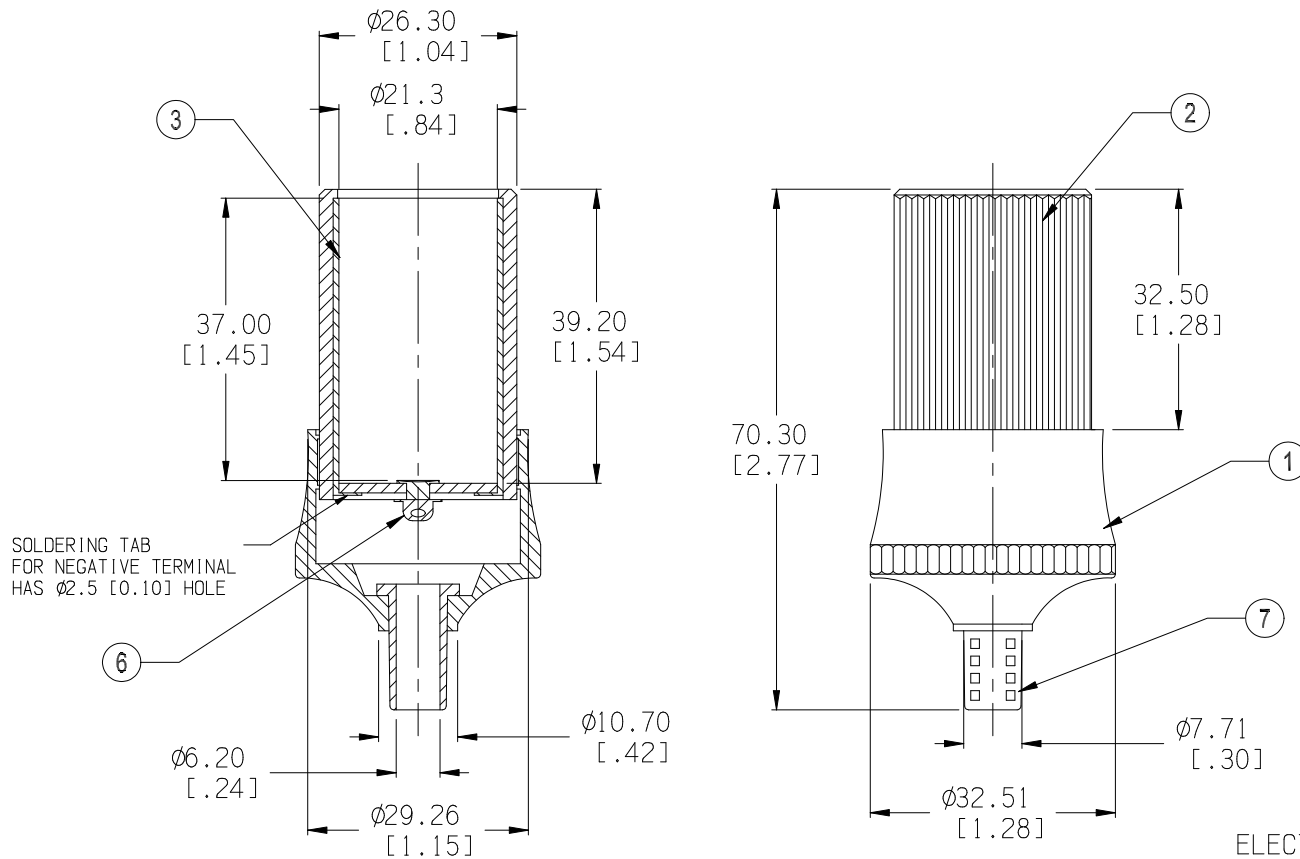



Date	SYM	REVISION RECORD	AUTH	DR.	CK.
04/03/04	A	Added Electrical Rating	T.B.	B.S.	
10/09/04	B	10AMP was 5AMP	T.B.	B.S.	
10/20/07	C	DIM. $\phi 21.3$ WAS $\phi 21.0$ DIM. 32.3 WAS 32.51 ADDED NOTE FOR RATING ADDED TAB NOTE	T.B.	B.S.	



ELECTRICAL RATING: 12V, 10 AMP
 ROHS COMPLIANT
 RATED UP TO 15 AMPS WITH CORRECT WIRES

ITEM NO.	PART NAME	MATL. SPECIFICATION
1	CAP	ABS, UL94-HB, FILE NO. E56070(S)
2	BODY	ABS, UL94-HB, FILE NO. E56070(S)
3	(-) TERMINAL	BRASS
4	INSULATION	BAKELITE, UL FILE NO. E59481(S)
5	BASE	BRASS
6	(+) TERMINAL	BRASS
7	STRAIN RELIEF	PVC

Tolerance (Inches)	 Memory Protection Devices, Inc. 200 Broad Hollow Road, Farmingdale, New York 11735		
Decimal		Scale	Drawn By B.S.
$\pm .5$ (.020)			Approved By T.B.
Fractional	Title		
$\pm .8$ (.030)	PLASTIC CIGARETTE SOCKET		
Angular	Date	Drawing Number	
$\pm 3^\circ$	10/20/07	ZA2010	