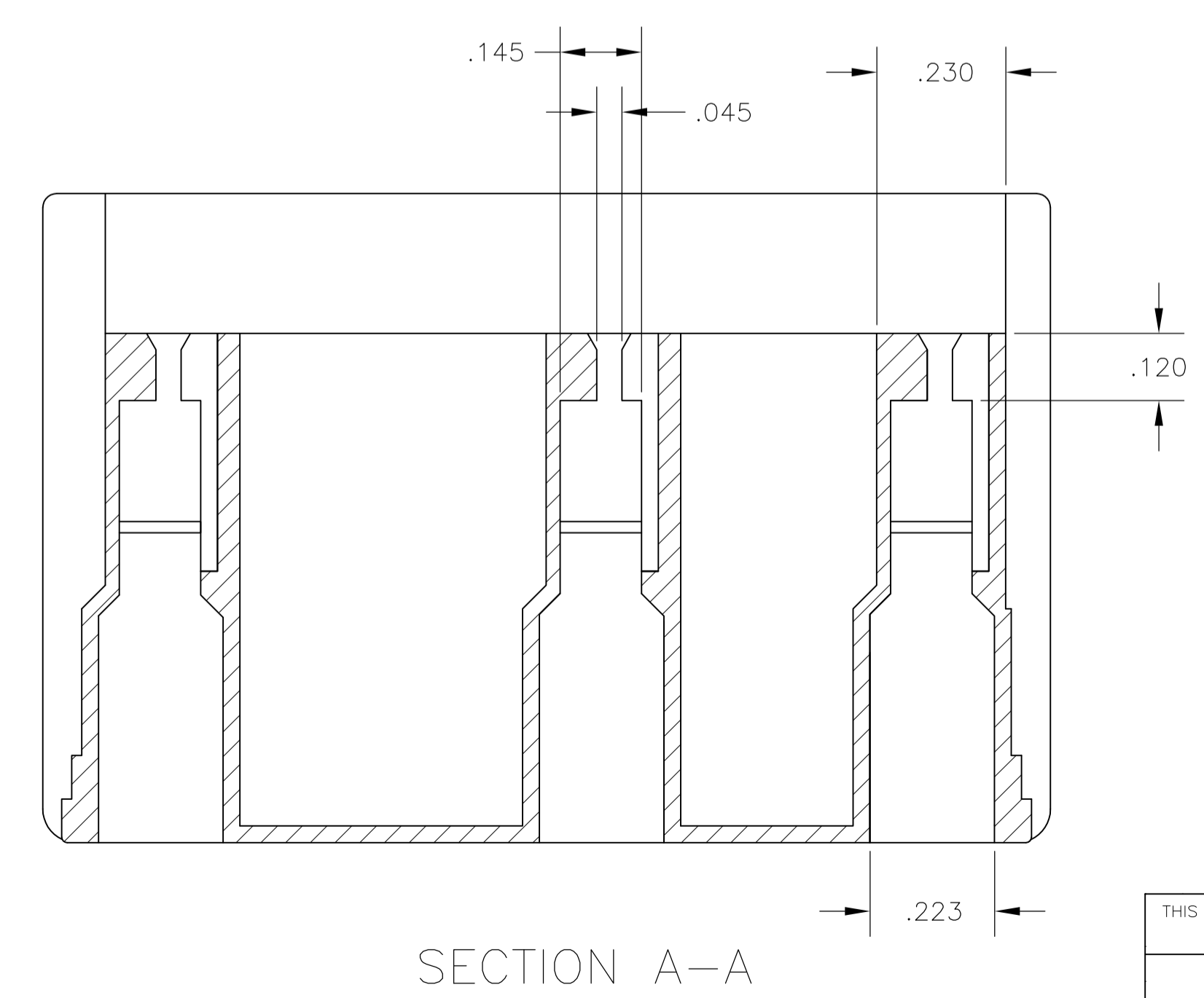
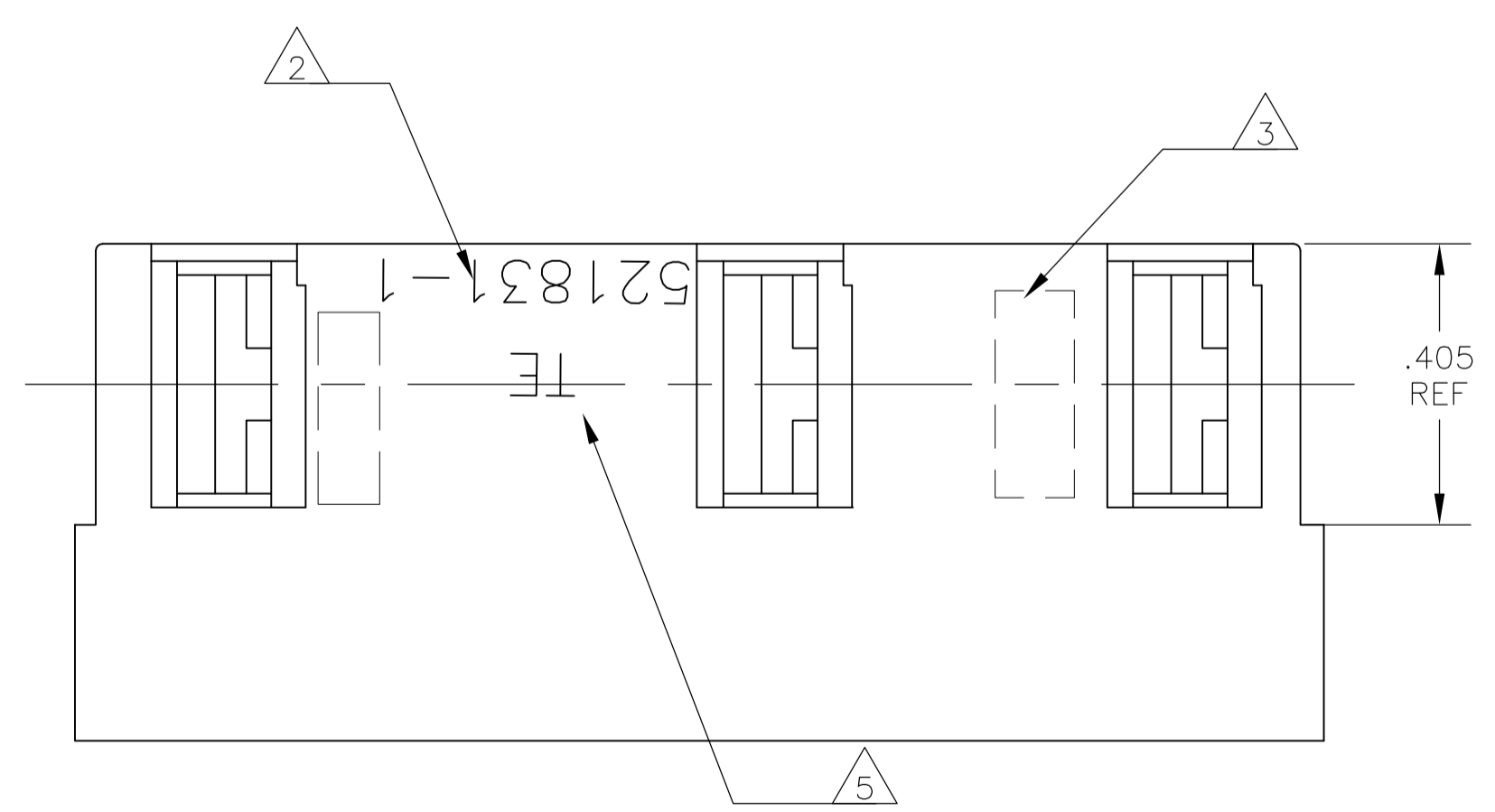
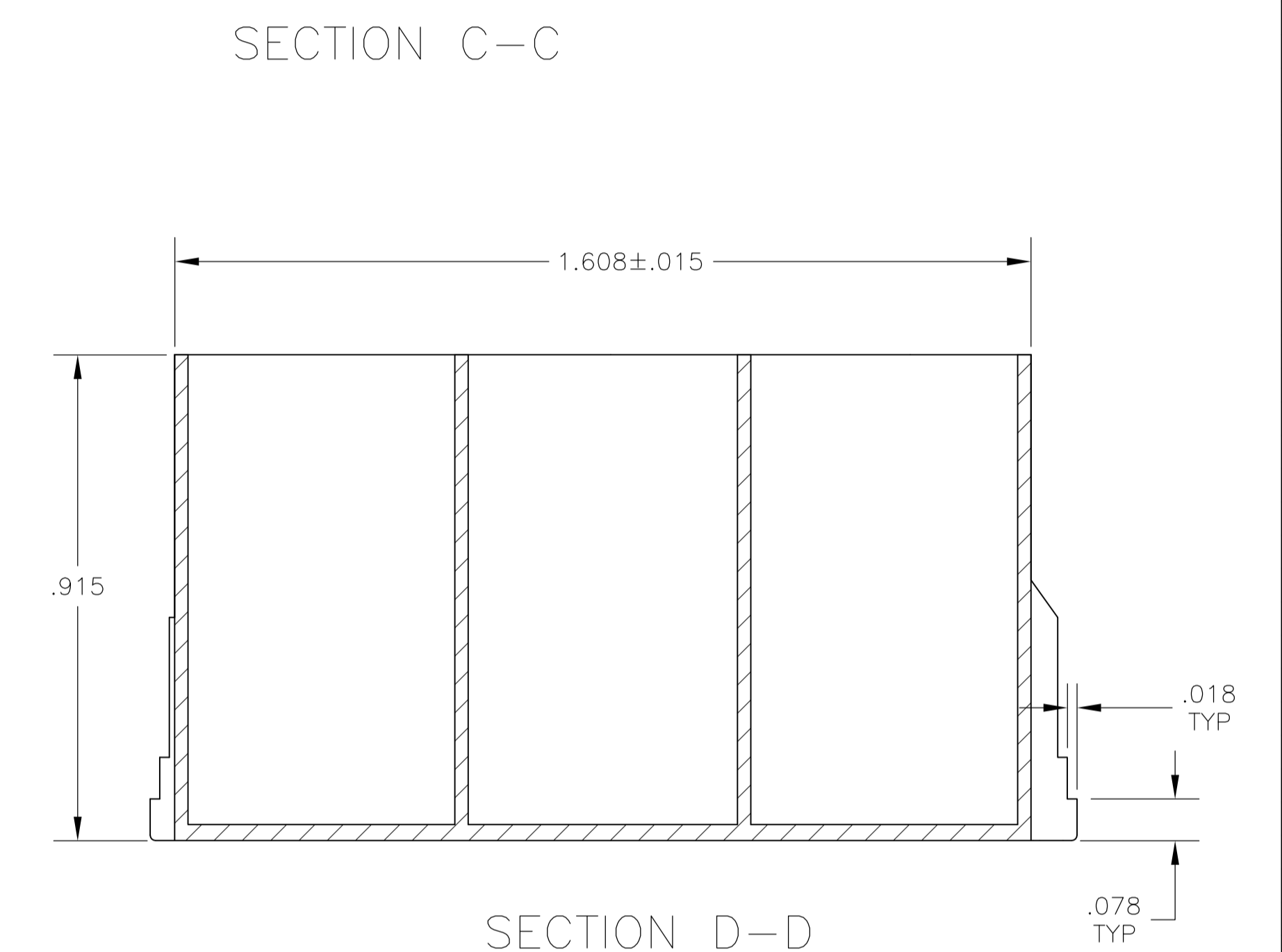
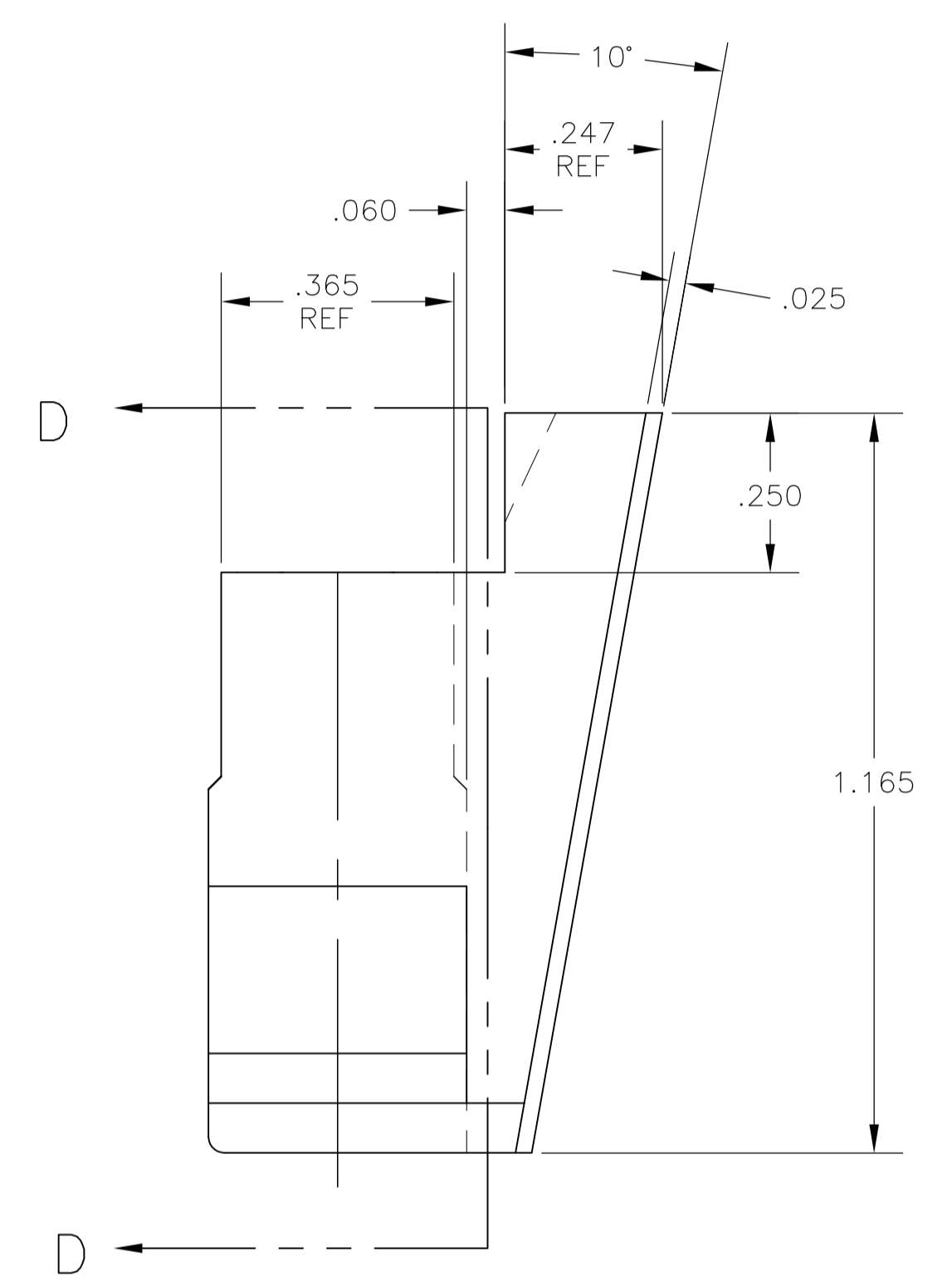
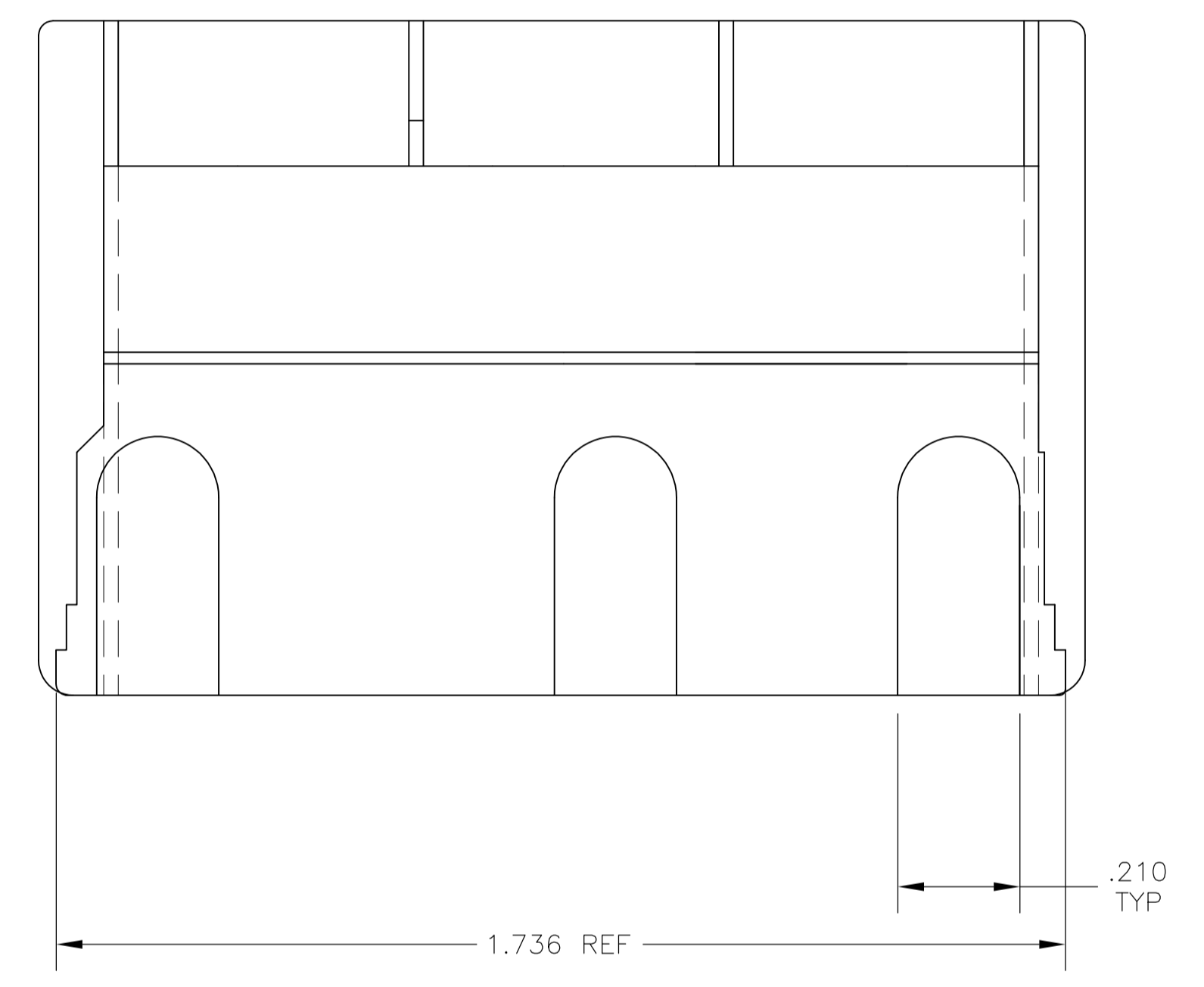
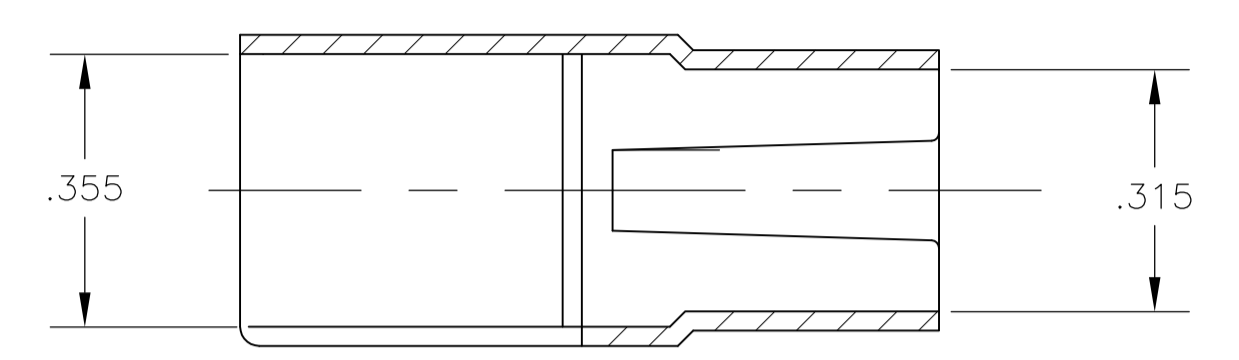
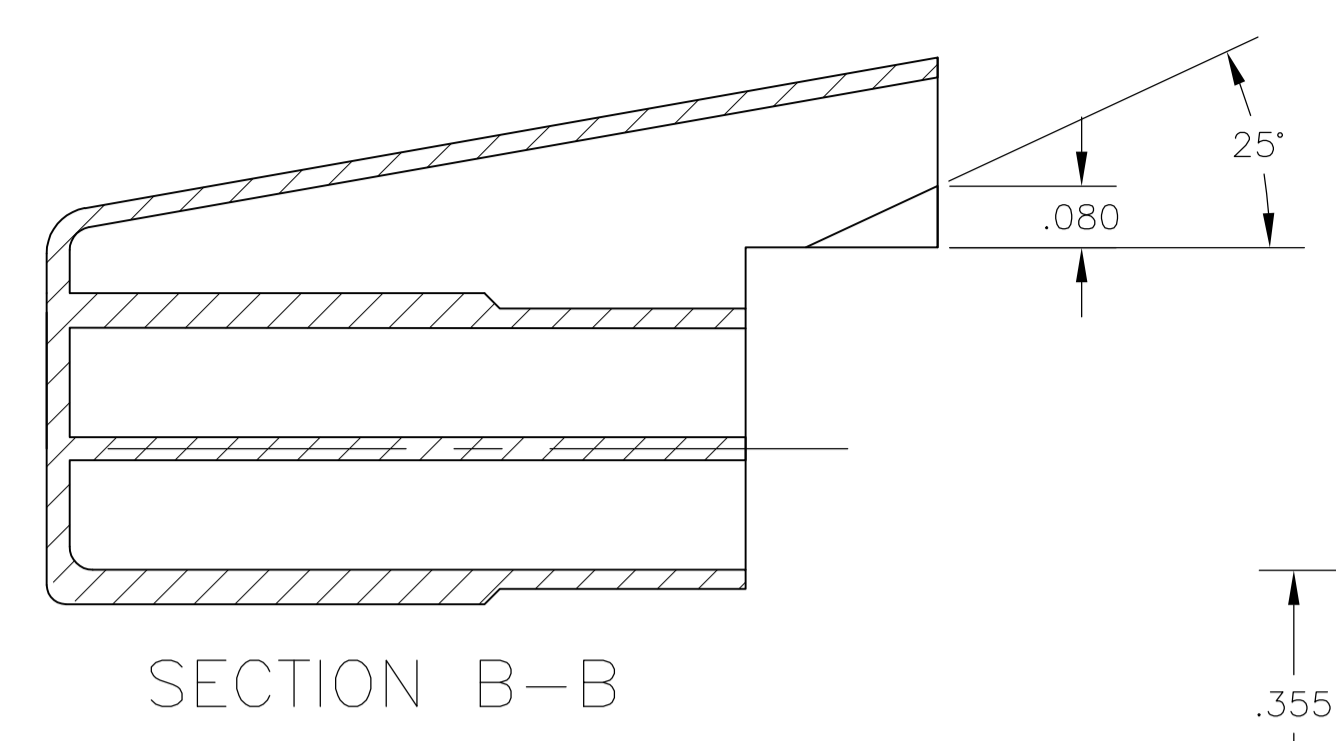
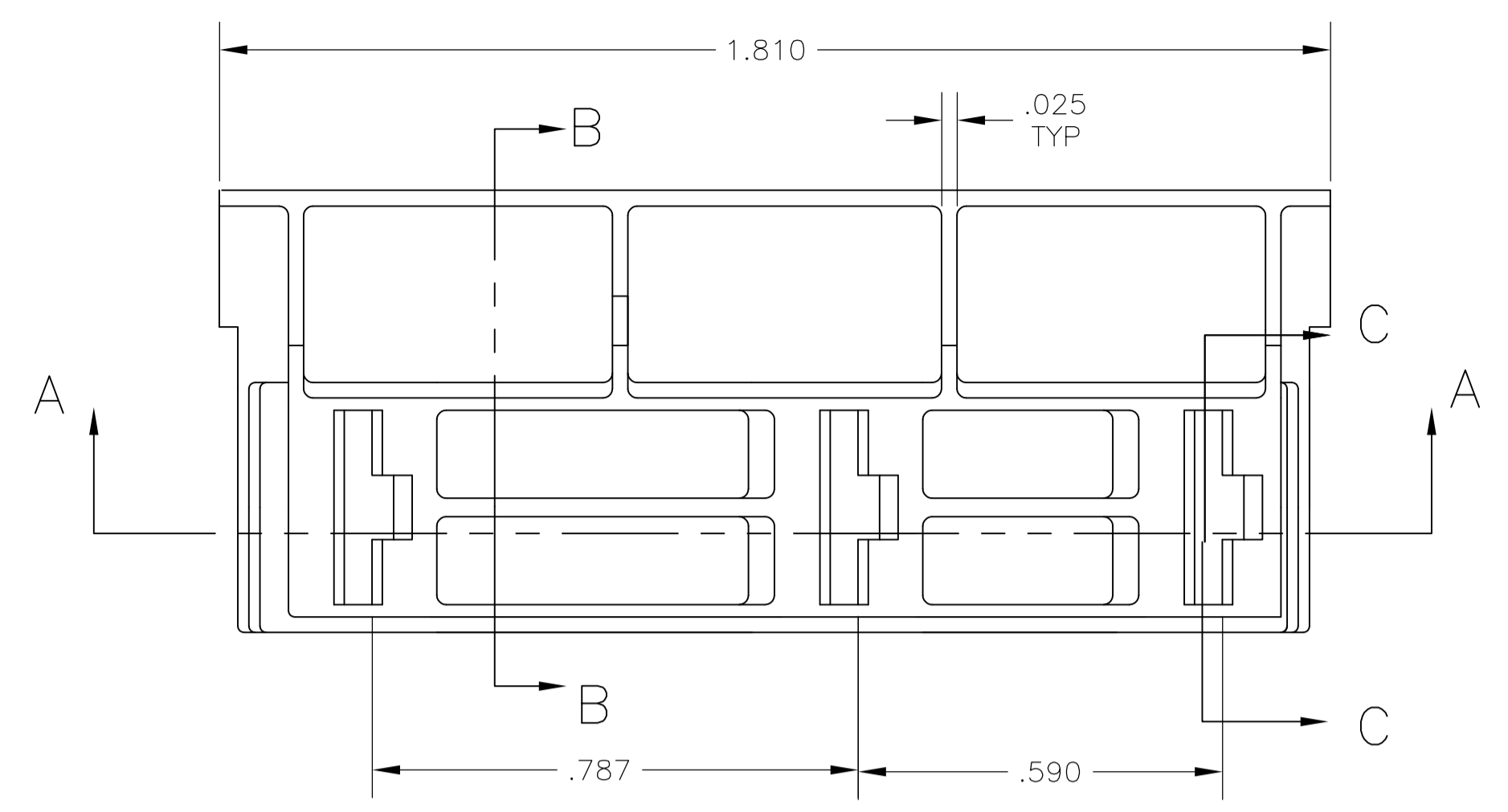


LOC		DIST		REVISIONS			
REV	DATE	BY	APP'D	DESCRIPTION	DATE	BY	APP'D
AF	58						
D				REVISED PER ECR-12-012872	24OCT12	KH	PD



- 1 ALL 3 INTERNAL CAVITY ARE IDENTICAL.
- 2 TE LOGO, SIZE AND LOCATION APPROX AS SHOWN
- 3 DFE SYMBOL >PA66/6<, LOCATED APPROX AS SHOWN.
- 4 PART TO BE USED WITH TERMINAL 1742291-1
- 5 TE P/N, LOCATED APPROX AS SHOWN

521831-1
PART NO

THIS DRAWING IS A CONTROLLED DOCUMENT.		DIN jr_ruth 28JUN05		APVD K RANDOLPH 28JUN05		NAME HOUSING, RECEPTACLE, FASTIN-FASTON, .250 SERIES, 3 POSITION	
DIMENSIONS: INCHES		TOLERANCES UNLESS OTHERWISE SPECIFIED:		APPLICATION SPEC		SIZE CAGE CODE DRAWING NO	
0 PLC ± -		1 PLC ± -		2 PLC ± -		3 PLC ± .010	
4 PLC ± -		ANGLES ± 1°		WEIGHT		A1 00779 C=521831	
MATERIAL 66/6 NYLON, VD		FINISH COLOR - WHITE		CUSTOMER DRAWING		SCALE 1:1 SHEET 1 OF 1 REV D	